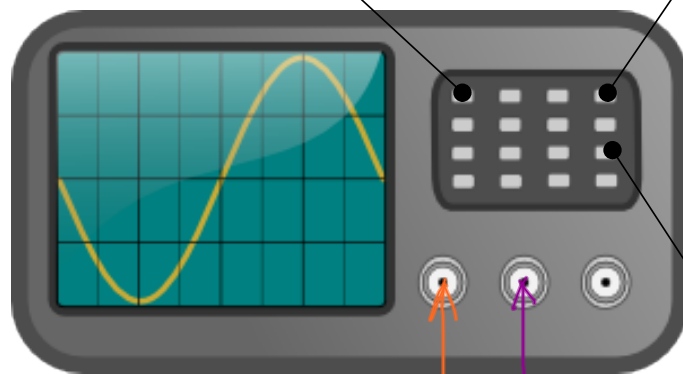


LES 3 REGLAGES

calibre vertical volt/div

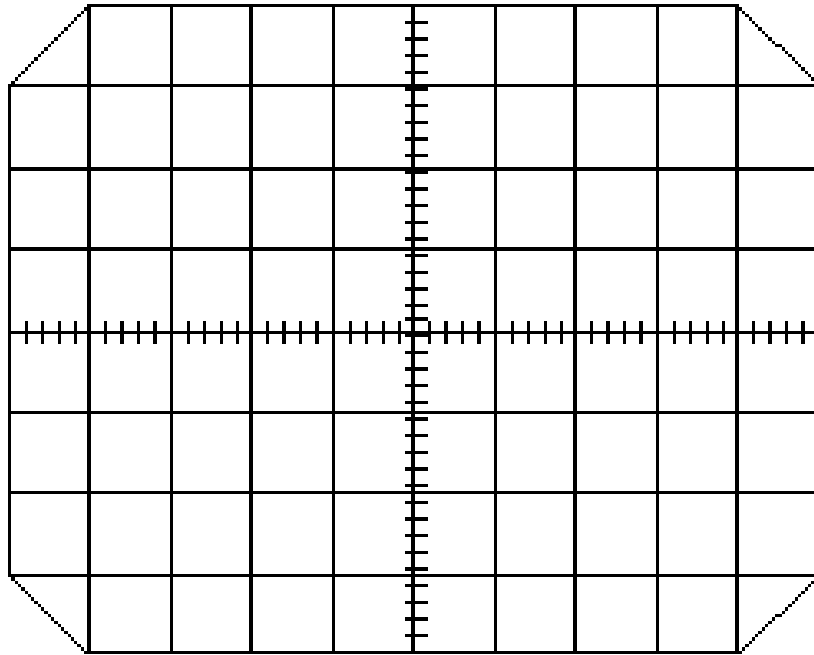
balayage temps/div

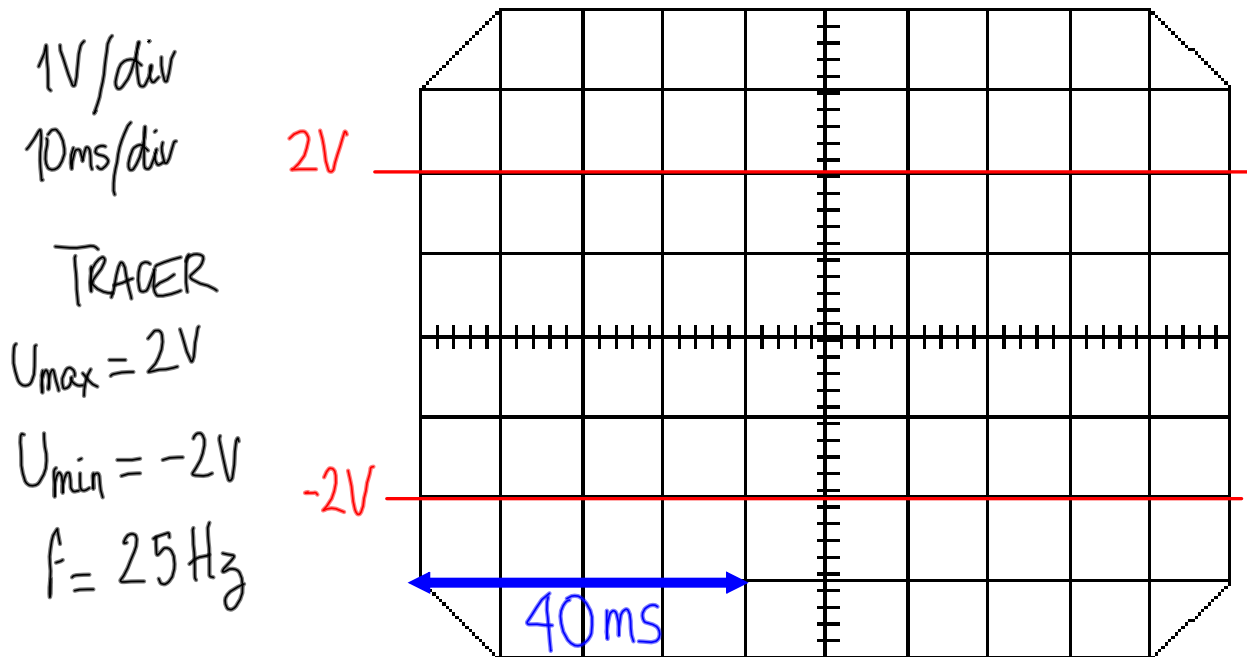


déclenchement

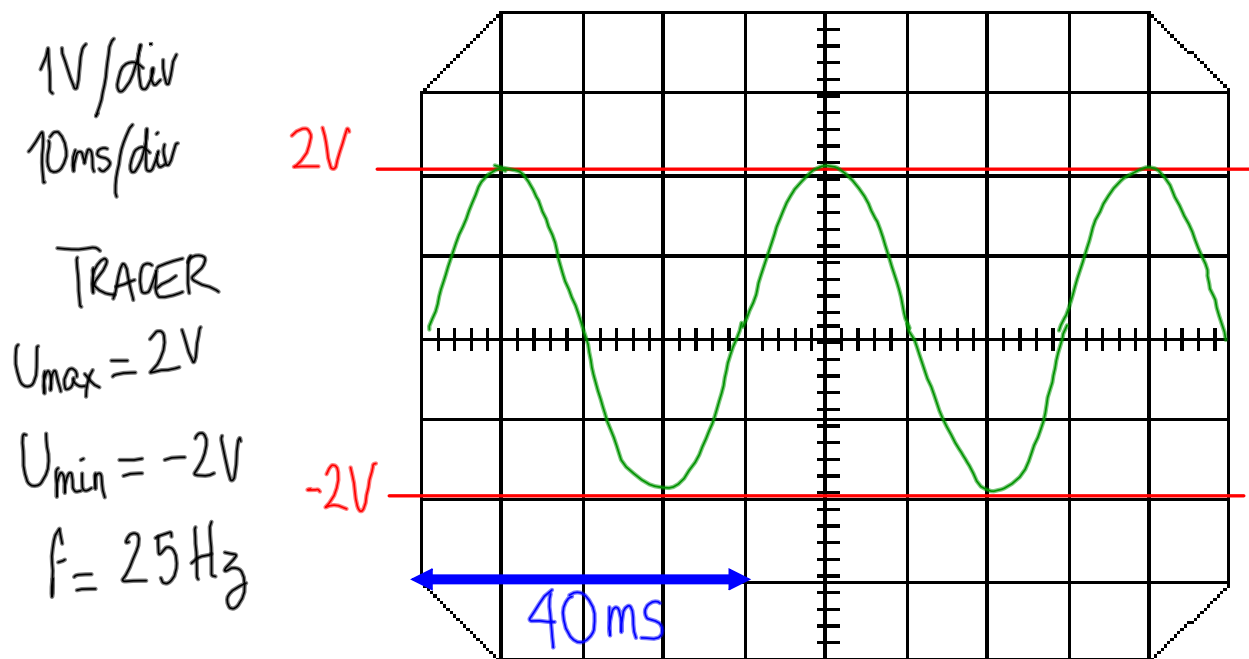
CH 1 CH 2

1V/div
10ms/div
TRACER
 $U_{max} = 2V$
 $U_{min} = -2V$
 $f = 25Hz$





$$T = \frac{1}{f} = \frac{1}{25} = 0,04\text{s} = 40\text{ms}$$



$$T = \frac{1}{f} = \frac{1}{25} = 0,04\text{s} = 40\text{ms}$$

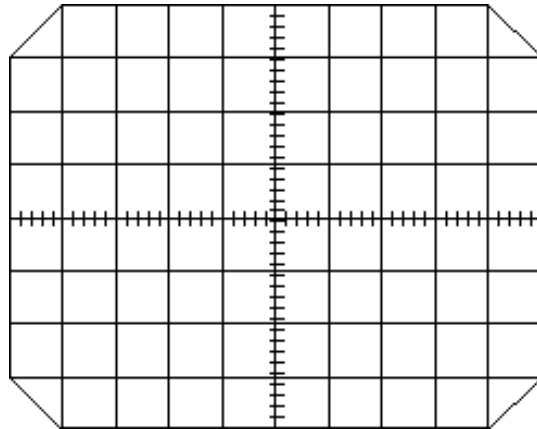
2V/div
20 μ s/div

TRACER

$$U_{\max} = 6,4V$$

$$U_{\min} = -6,4V$$

$$f = 10 \text{ kHz}$$



2V/div
20 μ s/div

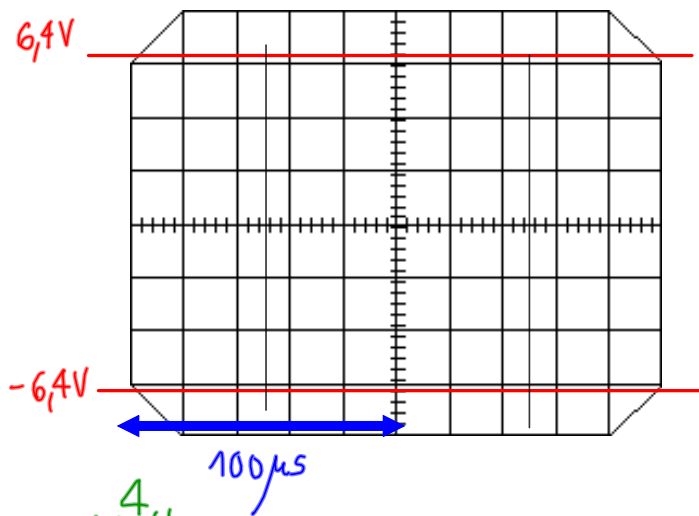
TRACER

$$U_{\max} = 6,4V$$

$$U_{\min} = -6,4V$$

$$f = 10 \text{ kHz} = 10 \cdot 10^3 \text{ Hz} = 10^4 \text{ Hz}$$

$$T = \frac{1}{f} = \frac{1}{10^4} = 10^{-4} \text{ s} = 10^2 \cdot 10^{-6} \text{ s} = 10^2 \mu\text{s}$$



2V/div
20 μ s/div

TRACER

$$U_{\max} = 6,4V$$

$$U_{\min} = -6,4V$$

$$f = 10 \text{ kHz} = 10 \cdot 10^3 \text{ Hz} = 10^4 \text{ Hz}$$

$$T = \frac{1}{f} = \frac{1}{10^4} = 10^{-4} \text{ s} = 10^2 \cdot 10^{-6} \text{ s} = 10^2 \mu\text{s}$$

